



***Australian Truck
& Trailer Parts***

Truck Parts Catalogue



HC-ATM Group Pty Ltd
ABN: 87 140 887 501
TELEPHONE: (07) 3277 5111 FAX: (07) 3875 1945
WEB: www.aussietruckparts.com.au
102 Stradbroke St, Heathwood, Brisbane, QLD 4110

About Us

We manufacture heavy duty and high-quality Truck Parts, Trailer Parts and Tooling designed for long life and reliability.

Our parts have been field tested in tough Australian, Papua New Guinea, Indonesia and U.S.A conditions including mine sites, off-road and logging sites to make sure they perform.

Our design and innovation in manufacturing produces the reliability and cost effectiveness required in today's market.

Our Philosophy

If it works well in the tough Australian conditions then it will work anywhere!

We Supply To ...

Absolute Spares	Haulmark Trailers	Shepherd Transport Equipment
Advance Trailers Sales & Service	Hi Torque Truck Spares	Southern Cross Transport Equipment Group
Albury Truck & Trailer Parts	Holmwood Highgate Pty Lt	Suncoast Truck Spares
Australian Truck & Auto Parts	Howard Porter	SX Trailers
Auto Tools	H.V. Equipment & Parts Pty Ltd	Swan Hill Truck Service
AV Trucks	Independent Parts	Toowoomba Truck Spares
Brown & Hurley	Jackson's Parts & Industrial	Total Fleet Maintenance
Big Rig Spares	Kenway & Clark QLD	Truck & Auto Parts Inverall & Moree
Black Truck Sales	Kenworth	Trailer Sales
Bruce Rock Engineering	Mackay Truck Parts	Truckline
BPW Transpec Pty Ltd	Marulan Truck & Bus Pty Ltd	Tranzmile Pty Ltd
BW Truck Parts	Maxiparts Pty Ltd	Transparts Qld Pty Ltd
Canberra Truck Repairs	Meritor H.V.S Aust Ltd	Transport Parts WA
Diesel Drive Pty Ltd	Mounts Machinery	Transpro Pty Ltd
Elphinstone Trailers	Multispares Ltd	Volvo Commercial Vehicles
Fleet Gear Pty Ltd	North Star Motors Pty Ltd	Westco Truck Sales
Fleet Parts Australia	Northern Truck Alignment	Wideland Trucks & Equipment Pty Ltd
Flex Industries	O'Keefe Industries Pty Ltd	Wrights Truck & Trailer Spares
Giacci Brothers Pty Ltd	Outback Spares	York Transport Equipment
Gibbs Parts	Paccar	
Gibbs Truck & Trailer Parts	Penske Power Systems Pty Ltd	
Gleeman Truck Parts	Powertrans	
Graham Thomson Motors	QUBE Bulk	
	Regional Transport Spares Pty Ltd	
	Rocklea Truck Spares Pty Ltd	



CONTENTS

AFTERMARKET PARTS TO SUIT MACK	1
Mack Cab, Motor & Hood Parts	1
Mack Drive Wheel Stud	2
Mack Camshaft Circlip & Washer Kits	2
Camshaft Overhaul Kits For Mack Drive Axle Brakes	2
Mack S-Camshaft	3
1-1/2" – 10 Spline, Standard "S" Head Camshafts	3
1-1/2" – 28 Spline, Standard "S" Head Camshaft	3
S-Camshafts with Kits	4
Mack Cam Bushes	4
Mack Clutch Parts	4
Mack Suspension Bushes	5
Mack Drive Suspension	7
AFTERMARKET PARTS TO SUIT	8
HENDRICKSON / PRIMAXX SUSPENSION	8
AFTERMARKET PARTS TO SUIT KENWORTH	9
Kenworth Truck Parts	9
Kenworth Suspension & Bushes	12
AFTERMARKET PARTS TO SUIT WESTERN STAR	14
Western Star Cab & Engine Parts	14
Western Star Chassis Brackets	16
Western Star Suspension Bushes	17
AFTERMARKET PARTS TO SUIT NEWAY SUSPENSION	18
AFTERMARKET PARTS TO SUIT	19
ISUZU, MITSUBISHI, FUSO & HINO TRUCKS	19
Isuzu, Mitsubishi, Fuso & Hino Suspension & Bushes	19
AFTERMARKET PARTS TO SUIT FREIGHTLINER TRUCKS	20
AFTERMARKET PARTS TO SUIT INTERNATIONAL TRUCKS	20
AFTERMARKET PARTS TO SUIT IVECO TRUCKS	20
Iveco Cab & Engine Parts	20
Iveco & ACCO Suspension Parts	21
AFTERMARKET PARTS TO SUIT EUROPEAN TRUCKS	21
MAN Suspension Bushes	21
Mercedes Suspension Bushes	22
Scania and Volvo Suspension	22
Volvo Engine Mount	22
AFTERMARKET PARTS TO SUIT DENNIS EAGLE TRUCKS	23
AFTERMARKET PARTS TO SUIT DAF TRUCKS	23
AFTERMARKET PARTS TO SUIT RFW TRUCKS	23
AFTERMARKET PARTS TO SUIT FORD LOUISVILLE	23
OVERVIEW - TORQUE ROD BUSH ASSEMBLIES LIST	24
TORQUE ROD BUSH ASSEMBLY – STRADDLE MOUNT	25
TORQUE ROD & V-ROD BUSH	29
TORQUE RODS	30
GENERAL PURPOSE PARTS	31
CAMSHAFT BUSHINGS	31
CAMSHAFT NUT	31
BRAKE SHOE ROLLER RETAINER KITS	32
ANCHOR PIN KITS	32
TRUNNION BUSHES AND PADS	32


Catalogue as at Truckshow May 2021

AFTERMARKET PARTS TO SUIT MACK

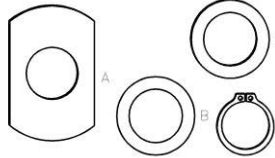
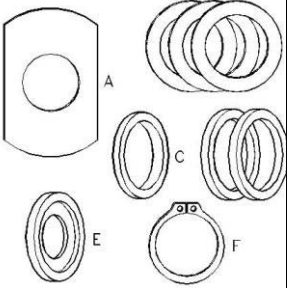
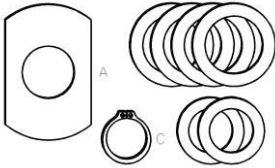
Mack Cab, Motor & Hood Parts

	PART NO.	DIMENSIONS	APPLICATION AND GENERAL INFORMATION
	98.140QM257M	OD = 75mm Sq Thickness = 23.50mm Hole Centres = 32mm Hole Size = 9mm	Isolator Support Hood Block
	98.25121334	OD = 63.75mm Length = 53.49mm ID – 15.88mm	Mack Radiator Mount Replaces 20QL295M & ATRO mm62-62334
	98.204SX216	Small OD= 42.86mm Larger OD = 80.96mm Length = 38.1mm ID = 19.05mm	Mack Transmission Insulator Kit Replaces ATRO - Kt62-62216 8 X 98.20QL1118A 8 X Washers 4 X 3/4" X 7" Bolts 4 X 3/4 Nyloc Nuts
	98.20802362.71	Mack Hood Bracket Sold as a pair. Replaces Mack 20802362RH & 20802371LH	
	98.20975430	OD = 82.5mm Bolt ID = 17.4mm Overall Length = 78.1mm	Mack Support Cab Mount CH Super Liners suits 5/8 Bolt Repairable Housing - <u>Bush Only</u> Replaces Mack : 20975430
	98.20975432	OD = 82.5mm Bolt ID = 19.6mm Overall Length = 78.1mm	Mack Support Cab Mount - suits A 3/4 BOLT Replaces Mack : 20975430
	98.20874917P060916	Centre To Centre =732mm Pin Size = 16.90mm I.D To Take 5/8 Bolt	Mack Panard Day Rod Assembly (tapered) Replaces Mack 20874917P060916 Includes bushing
	98.21609754.09	Poly Bush OD = 38mm Poly Bush Length = 49mm Pin Length = 49mm Pin Width= 16.90mm Id To Take 5/8 Bolt	Mack Panard Cab Bush 75 duro Bush and steel inner pin
	98.21609754P010316	Centre to Centre =800mm Pin Size = 16.90mm I.D to take 5/8 Bolts	Mack Panard Cab Sleeper Rod Assembly Replaces Mack 20874917 Includes bushing

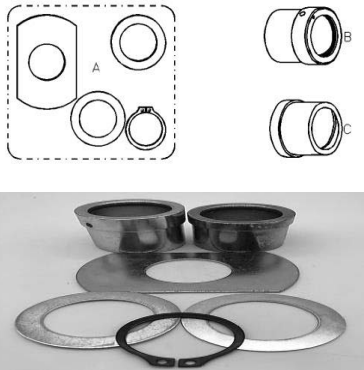
Mack Drive Wheel Stud

	PART NO.	DIMENSIONS	APPLICATION AND GENERAL INFORMATION
	98.43RU39410M	Overall Length = 142mm Thread = M22 x 1.5 Shank Dia = 23.4mm	Stud Disc Wheel M22 x 1.5

Mack Camshaft Circlip & Washer Kits

PART NO.	APPLICATION		INCLUDES
01.0123.00	For Mack and Rockwell 10 Spline Camshaft Brakes		A 1 03.2501.0 Washer ('O' Type, 38.5mm ID) B 1 03.2502.0 Washer (38.5 x 57 x 0.8mm) C 1 03.2503.0 Washer (38.5 x 57 x 1.6mm) D 1 03.2602.0 Circlip (Suits 1-1/2" Shaft) 1-1/2" = 38.1mm
01.0131.00	For Mack 28 Spline Camshaft Brakes		A 1 03.2501.0 Washer ('O' Type, 38.5mm ID) B 3 03.2503.0 Washer (38.5 x 57 x 1.6mm) C 1 03.2520.0 Slack Adjuster Washer (46 x 38 x 3.4mm) D 2 03.2521.1 Washer (49 x 38 x 5mm) E 1 03.2523.1 Thrust Washer (49 x 38/22 x 5.5mm) F 1 03.2604.0 Circlip (Suits 1-1/2" Shaft)
01.0135.00	For Mack 28 Spline Camshaft Brakes		A 1 03.2501.0 Washer ('O' Type, 38.5mm ID) B 4 03.2503.0 Washer (38.5 x 57 x 1.6mm) C 1 03.2622.0 Circlip (Suits 1-11/4" Shaft) D 2 03.3103.0 Washer (32 x 48 x 1.6mm) 1-1/4" = 31.7mm

Camshaft Overhaul Kits For Mack Drive Axle Brakes

01.0223.55		A 1 03.2501.0 Washer ('D' Type, 38.5mm ID) 1 03.2502.0 Washer (38.5 x 57 x 0.8mm) 1 03.2503.0 Washer (38.5 x 57 x 1.6mm) 1 03.2602.0 Circlip (Suits 1-1/2" Shaft) B 2 03.2119.5 Cam Bush (Plated Steel, 1 'O' Ring, 1-1/2' ID) C 1 03.2209.5 Cam Bush (Plated Steel, 1 'O' Ring, 1-1/2' ID) 1-1/2" = 38.1mm Item A is the same as Kit 01.0123.00
------------	---	---

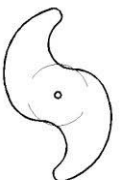
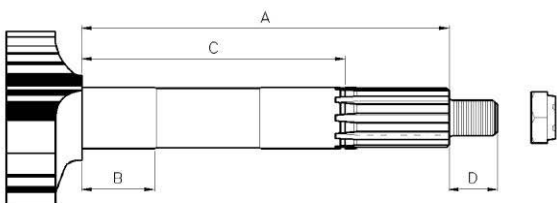
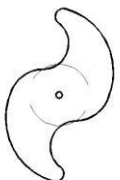
Mack S-Camshaft

Australian Tool Manufacturers Pty Ltd manufacture standard 'S' head camshafts, 10 or 28 spline, to order. Maximum Length (excluding 'S' head): 20.5" = 520.7mm


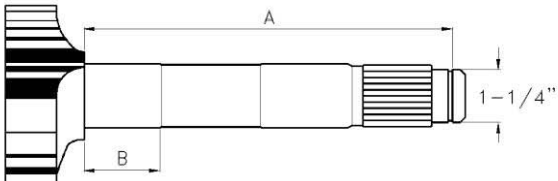
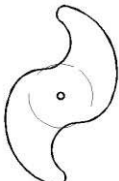
Camshafts can be manufactured from a sample or from a drawing.

All parts are manufactured to Australian standards.


1-1/2" – 10 Spline, Standard "S" Head Camshafts - Heavy Duty Cams for use with Tayco Lock-On Slack Adjusters

							
Left Hand As viewed from Head		Dimension C is from shoulder of camhead to far edge of snap ring groove *Part Numbers include the Lock Nut				Right Hand As viewed from Head	
PART NO.		DIMENSIONS				APPLICATION AND GENERAL INFORMATION	
LEFT HAND	RIGHT HAND	A	B	C	D		
03.1210.L	03.1210.R	205.1mm	45mm	162.6mm	22mm	For Mack - Heavy Duty Version of 03.021 O.L & 03.021 O.R	




1-1/2" – 28 Spline, Standard "S" Head Camshaft

							
Left Hand As viewed from Head		Dimension A is from shoulder of camhead to far edge of snap ring groove				Right Hand As viewed from Head	
PART NO.		DIMENSIONS		APPLICATION AND GENERAL INFORMATION			
LEFT HAND	RIGHT HAND	A	B				
03.0510.L	03.0510.R	8.63" = 219.2mm	1.79" = 45.5mm	For Mack Truck Axles For Rockwell Drive Axles Replaces: Rockwell 2210-F-5440 (LH) & 2210-E-5439 (RH)			
03.0514.L	03.0514.R	9.16" = 232.7mm	1.79" = 45.5mm	For Mack Truck Axles For Rockwell Drive Axles Replaces: Rockwell 2210-V-5456 (LH) & 2210-U-5455 (RH)			
03.0528.L	03.0528.R	11.72" = 297.7mm	1.79" = 45.5mm	For Mack Truck Axles For Rockwell Drive Axles Replaces: Rockwell 2210-H-5416 (LH) & 2210-G-5415 (RH)			



S-Camshafts with Kits

	PART NO.	APPLICATION AND GENERAL INFORMATION
	98.1210.L 98.1210.R	<p>Heavy Duty Camshaft Kit Left Hand & Camshaft Kit Right Hand</p> <p>Includes: 1 x 03.1210 L or R & 1 x 01.0131.00</p>

Mack Cam Bushes

	PART NO.	DIMENSIONS	APPLICATION AND GENERAL INFORMATION
	03.2119.5	O.D=1-7/8" = 47.6mm I.D=1-1/2" = 38.1mm Length=1.77" = 45.0mm	For Eaton, Mack, and Rockwell Front and Drive Axles; Spline-End Bushing Plated Steel Bush Used in Support Bracket for Mack Fitted with Tayco Brakes Includes: 1 'O' Ring 03.2455.0
	03.2209.2	O.D=1-7/8" = 47.6mm I.D=1-1/2" = 38.1mm Length= 1-31/64" = 37.7mm	For Eaton, Mack, and Rockwell Front and Drive Axles; Spline- End and Cam Head End Bushing Nylon "Flanged" Version of 03.2209.0 Includes: 1 'O' Ring 03.2455.0
	03.2209.5	O.D=1-7/8" = 47.6mm I.D=1-1/2" = 38.1mm Length=39mm	For Eaton, Mack, and Rockwell Front and Drive Axles; Spline-End and Cam Head End Bushing Plated "Flanged" Steel Version Used in Spider for Mack Fitted with Tayco Brakes Includes: 1 'O' Ring 03.2455.0

Mack Clutch Parts







	PART NO.	DIMENSIONS	APPLICATION AND GENERAL INFORMATION
	98.21156844	Main Thickness=22mm Body Thickness=19mm	Spacer Disc Fan Clutch for Mack & Volvo Replace Volvo 21156844
	98.33MX49409M	Handle Thickness =12mm Hole Centre Line To Centre Line = 72mm Hole Size = 15.87mm	Lever Clutch Assembly
	98.52MX39403M	O/All Length =120mm C/C 76.00mm ARM 67.0mm	Clutch Control Lever
	98.38MH39401M	OD = 120mm Hole PCD = 96 X 8.8mm Tapped Hole PCD = 88.90 X 3/8 UNF Width = 71.00mm	Hub Fix

Mack Suspension Bushes

	PART NO.	DIMENSIONS	APPLICATION AND GENERAL INFORMATION
	<p>09.1517.08</p> <p>Mack Part No: 98.38QF29407 M</p>	<p>Shaft Hole Dia=19.8mm Boss O.D=88.8mm Boss Width=68.0mm Shaft Hole To Hole=111.1mm Shaft Across Flats=36.3mm</p>	<p>For Mack, Neway AD. 252-11 and Rockwell Suspensions</p> <p>Replaces: Mack 38QF29407M</p>
	<p>09.1517.18HD</p>	<p>Shaft Hole Dia=19.8mm Boss O.D=88.8mm Boss Width=68.0mm Shaft Hole To Hole=111.1mm Shaft Across Flats=36.3mm</p>	<p>Non – Repairable Poly Bush (as above – 09.1517.08) Heavy Duty</p>
	<p>09.1517.28</p> <p>Mack Part No: 98.38QF29408 M</p>	<p>Shaft Hole Dia=203.5mm Boss O.D=88.8mm Boss Width=68.0mm Shaft Thread=1-1/4"12 Tpiunf Shaft Taper Length= 78.4mm Shaft Taper Dia.= 45.0mm</p>	<p>For Mack, Neway AD. 252-11 and Rockwell Suspensions</p> <p>Replaces:Mack 38QF29408MI</p>
	<p>09.1520.08</p> <p>Mack Part No: 98.38QF29402 M</p>	<p>Shaft Hole Dia=26.0mm Boss O.D=104.7mm Boss Width= 63.5mm Shaft Hole To Hole=135.7mm Shaft Across Flats= 34.9mm</p>	<p>For Mack, Neway AD. 252-11 ,Rockwell (Large 0.0. Boss - Large Shaft) and Western Star</p> <p>Replaces: Mack 38QF29402M Rockwell A-2297-D-82A Rockwell A-2297-X-3664</p>
	<p>09.1520.18</p>	<p>Shaft Hole Dia=26.0mm Boss O.D=104.7mm Boss Width= 63.5mm Shaft Hole To Hole=135.7mm Shaft Across Flats= 34.9mm</p>	<p>Non – Repairable Poly Bush (as above 09.1520.08)</p>
	<p>09.1520.28</p> <p>Mack Part No: 98.38QF29403 M</p>	<p>Shaft Hole Dia=200.0mm Boss O.D=104.7mm Boss Width=63.5mm Shaft Thread=1-1/4"12 Tpiunf Shaft Taper Length= 73.8mm Shaft Taper Dia.= 35.3mm</p>	<p>For Mack and Neway AD. 252-11 Suspensions</p> <p>Replaces: Mack 38QF29403M</p>

	<p>09.1525.08</p>	<p>Shaft Hole Dia=21.0mm Boss O.D=104.7mm Boss Width=63.5mm Shaft Hole To Hole=152.0mm Shaft Across Flats=35.0mm</p>	<p>For Mack</p>
	<p>09.1652.18</p>	<p>Shaft Hole Dia=19.5mm Boss O.D=70.2mm Boss Width=61.0mm Shaft Hole To Hole=111.0mm Shaft Across Flats=29.0mm</p>	<p>Straddle Mount Bush 3/4 Holes for Mack Camelback Suspension Replaces: Hendrickson 49210, 64400-0005L, 66649-005 Atro TS38750</p>
	<p>09.1653.08</p>	<p>Shaft Hole Dia=18mm Boss O.D=76.2mm Boss Width=61.95mm Shaft Hole To Hole=111.0mm Shaft Across Flats=29mm</p>	<p>Replaces: Mack 3 Inch Straddle International 3212882R2 ATRO: TS46000 Mackay TSM18</p>
	<p>09.1658.28</p>	<p>OD = 2 3/4" Length = 7", Stud = 1 1/4" 12 Tpi</p>	<p>Tapered Straddle Mount Pin Assembly Non repairable Replaces: Mack: 1688-229240, ATRO TM38000A & TM38000B Hendrickson 46735, 64400-007L Meritor R302815, R309518</p>
	<p>98.1688.22772 0</p>	<p>Shaft Hole Dia = 18mm Boss O.D= 69.87mm Boss Width= 61 Mm Shaft Hole To Hole=111 Mm Shaft Across Flats=29 Mm</p>	<p>Mack Torque Rod and Swaybar Straddle Bushing 2 Inch 49/64 Straddle Assembly Replaces Single Axle, Corporate Air Hendrickson 44695 Mack 1688-227720: SS34/38, ST34 Taper Leaf, Mack 240530 (SS44, SW557, SW5573 Camelback) ATRO: TS38000A Torque Rod Bushing, TS59-22400 Straddle Bushing (High Articulation)</p>

Mack Drive Suspension

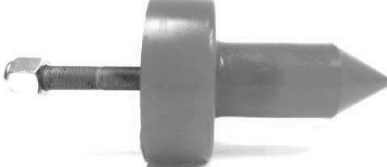

	PART NO.	DIMENSIONS	APPLICATION AND GENERAL INFORMATION
	<p>98.25164942</p>	<p>552mm = 21.75" Centres</p>	<p>Centre to Centre Torque Rod Mack 552 Mack Part Number 25164942 Hendrickson Suspension Bushing included</p>
	<p>98.21370896</p>	<p>600mm Centres</p>	<p>Mack Torque Rod Assembly 600mm Centres Straight Bushing included Replaces 17QF49404M Rockwell A2297-x-X3664A Meritor A2297D 82A</p>
	<p>98.21286391</p>	<p>574mm Centres</p>	<p>Mack Torque Rod Assembly 574mm Centres – Tapered Bushing included Replaces 17QF49405M2 Rockwell A2297-x-X3664A Meritor A2297D 82A Mack 38QF29403</p>
	<p>98.10QK39403 M</p>	<p>OD = 115.30mm ID = 88.46 mm Length = 190mm</p>	<p>Bush poly A90 red</p>
	<p>98.21036254</p>	<p>OD = 44.45mm (Button / Pin) Length = 152.4mm Height= 95.25mm Width = 152.4mm</p>	<p>Mack Lower Insulator Replaces Mack 10QK36B, 10QK388 & ATRO MA36000</p>
	<p>98.25115012</p>	<p>OD = 44.45mm (Button / Pin) Length = 152.4mm Height= 76.2 Mm Width = 114.30mm</p>	<p>Mack Upper Insulator Replaces Mack 10QK370 & ATRO MA37000</p>

AFTERMARKET PARTS TO SUIT HENDRICKSON / PRIMAXX SUSPENSION


	PART NO.	DIMENSIONS	APPLICATION AND GENERAL INFORMATION
	98.58648000.0	OD = 74.62mm, Length = 92.07mm ID = 31.75mm	Pivot Bushing (Inner Pin Fully Rotates) For Use In The Hendrickson Primaax REPLACES ATRO - PB50-26648, GAFF 18821, HENDRICKSON 58648000, 70425001, HINO 58648-000, VOLVO HDR58648000, 85109229
	98.6038300 .0	OD = 63.5mm, Centre to Centre = 141.28mm Hole = 22.225mm	D Pin Bushing (Inner Pin Fully Rotates) For Use In The Hendrickson Primaax REPLACES ATRO - SU50-29383, GAFF 13627, HENDRICKSON 60383000
	09.1652.18	Shaft Hole Dia=19.5mm Boss O.D=70.2mm Boss Width=61.0mm Shaft Hole To Hole=111.0mm Shaft Across Flats=29.0mm	Straddle Mount Bush 3/4 Holes for Mack Camelback Suspension Replaces: Hendrickson 49210, 64400-0005L, 66649-005 Atro TS38750
	09.1665.18	OD = 50.2mm Centre to Centre = 111.0mm Hole = 16.0mm	Straddle Pin for Primaax Suspension with 7/8 Hole
	09.1659.08	OD = 76.35mm Bush Length = 64mm Pin Length = 82mm ID = 28.8mm	Hendrickson Torque Rod Bush Replaces: 45477.000L, Atro IN35190
	09.1659.18	OD = 76.35mm Bush Length = 64mm Bolt Hole = 20mm Centre to Centre =144mm	Hendrickson Torque Rod Bush Replaces: 45477.001L, Atro IN35180

AFTERMARKET PARTS TO SUIT KENWORTH





Kenworth Truck Parts







	PART NO.	DIMENSIONS	APPLICATION AND GENERAL INFORMATION
	12.1199L38A	98.40mm Length 98.40 Breadth 23.6mm Maximum Height	Kenworth 4 Inch Spring Pack Button Type Wear Pad to Suit Meritor Axles
	12.1199L.40A	124.80mm Length 122.70 Breadth 25.4mm Maximum Height	Kenworth 5 Inch Spring Pack Button Type Wear Pad to Suit Meritor Axles Kenworth AG3880
	12.16813AA		Kenworth Clamp Pin Exhaust
	12.6001.8	39.0mm Small O.D. 83.5mm Large O.D. 1 01.6mm Overall Length Of Polyurethane	For Kenworth Trucks Replaces: Kenworth QK179-375
	12.6002.8	Length = 104mm Width = 56mm Height = 71mm Holes Centres Are 60mm	Kenworth Hood Mount Block Replaces R85-1236 & R85-1236R
	12.6003.8	Height: 1 3/16" (Upper) & 1/2" (Lower) I.D :13/16" Small O.D: 2" Large O.D: 3 1/4	Kenworth Motor Mount Kit Sold as one (1) piece Replaces K066-423 & K066-404 (Upper and Lower) ATRO Kit suit T300 mm59-62407
	12.6004.9	OD = 189.5mm ID= 176mm	Kenworth Seal Air Piping Replaces G42-1008 Kenworth Part Number
	12.6005.8	Length = 80mm Width = 34mm Height = 80mm Holes Centres Are 30mm	Kenworth Hood Mount Block Replaces R85-1252L & R85 1252R
	12.6006.8	Length = 80mm Width = 34mm Height = 80mm Holes Centres Are 40mm	Kenworth Hood Mount Block Replaces R85-1160L & R85 1160R

 <p>Top & Bottom view - sold individually</p>	<p>12.6010.8</p>	<p>OD = 97mm ID= 19.5M Middle Diameter=53mm Overall Height = 65mm Height To Edge Of Slope =58mm</p>	<p>Kenworth Anti Vibration Front Engine Mount Bush Replaces K066-229 Kenworth Part Number Made with 80 Duro</p>
 <p>Top & Bottom view - sold individually</p>	<p>12.6011.8</p>	<p>OD = 80mm ID= 16.5mm MiddleDiameter=45mm Height = 63mm</p>	<p>Kenworth Bush Typical applications are as a bottom radiator mount, cab mounts, and/or hood mounts Replaces Kenworth K066-250 & K066-176 Made with 80 Duro</p>
	<p>12.6101.8</p>	<p>OD = 40.9mm ID= 20mm Middle Diameter =27.5mm Overall Height = 16.4mm Per Bush Pin OD= 20.1mm Pin ID =15.8mm Pin Length = 41mm</p>	<p>Kenworth Bonnet Pivot Bush Comes with 2 bushes & 1 centre pin Replaces K066-497 Kenworth Part Number Rubber Bush K066-500 Kenworth Part Number Pin / Shaft Made with 80 Duro</p>
	<p>12.6102.8</p>	<p>Kenworth Radiator Stay Bush Replaces K264-84 (Bush) K221.4992 (Sleeve)</p>	
	<p>12.6103.8</p>	<p>Kenworth Exhaust Mount Bush</p>	
	<p>12.6105.8</p>	<p>Rear Engine Mount Kenworth For C509, K100, K100E, W925, K104, T404, T650, T950 Replaces M506-70R, K066-274, K066-282, K066-320</p>	
	<p>12.6106.9T&B Sold as one (1) unit</p>	<p>Kenworth Bonnet Top & Bottom Mount Replaces Kenworth Top : K066-462 & KO66-517 Kenworth Bottom: K066-463 & K066-516 Sold as one (1) unit / together</p>	
	<p>12.6110.8</p>	<p>Kenworth Rear Cab Mounting Block For K104 & K108 Series Replaces K235-1954 Includes Housing& Centre Bush can be Replaced</p>	
	<p>12.6111.8</p>	<p>Kenworth Rear Cab Mounting Block For K200 Series Includes Housing & Centre Bush can be Replaced</p>	

	12.7010.08PH	LARGE OD=63.5mm SMALL OD=38.25mm ID = 16.3mm WIDTH = 24.4mm	Kenworth Radiator Mount Half Size Replaces K066 – 177 Kenworth Part Number
	12.7010.08HD	Large OD=63.5mm Small OD=38.25mm ID = 16.3mm Width = 24.4mm	Heavy Duty / Off Road 85 Duro Kenworth Radiator Mount Half Size Replaces K066 – 177 Kenworth Part Number Sold as a set of 4
	12.7011.08HD	Large OD=77mm Small OD=47mm ID = 16.3mm Width = 30mm	Kenworth C509 Radiator Mount Half Size Green 85A Duro Heavy Duty Version Replaces K066 - 251
	12.7100.9		Kenworth Chassis Mounting Block 95mm x 95mm x 55mm With A 17mm Bolt Hole
	12.7500.08		Kenworth Radiator Mount Kit & Stay Kit Replaces K066 - 177 & K066-497 & K066-500
	12.E55.1128		Kenworth Clutch Lever
	12.K2335566		Kenworth Stud Shock Absorber Bolt To suit Kenworth Shocky For K200 Series Trucks Kenworth Part Number For The Bolt Is K233-656 To be used with Kenworth K2002 Shocky Bolt Tool 00.0294.16
 Top and Underneath View	12.K350.2000		Kenworth Engine Mount Aligning Plate
	12.PL63100310 0.8		Kenworth T658 Hood Support Pad 220mm Length, Width 68mm With 7mm 25mm Slots 10mm Thickness Poly 85duo REPLACES L63-1003-100, HLK2024, PL63-1003-100, PL631003100, L631003100
	99.CUMFFK.00 1		Fuel Filter Kit Cummins Kenworth E5 Signature and ISX Motors Including Mounting Bracket, Screws, Washers & Hose (all fittings for installation)

Kenworth Suspension & Bushes

	PART NO.	DIMENSIONS	APPLICATION AND GENERAL INFORMATION
	09.1521.08	Shaft Hole DIA.= 19.5mm Boss O.D = 104.7mm Boss Width= 63.5mm Shaft Hole To Hole = 111.1 Mm Shaft Across Flats= 34.9mm	For Kenworth (Standard) Replaces: Kenworth K066C259 and Rockwell A-2297-R-18A
	09.1521.18	Shaft Hole Dia.= 19.5mm Boss O.D = 104.7mm Boss Width = 63.5 Mm Shaft Hole To Hole = 111.1 Mm Shaft Across Flats = 34.9mm	Torque Rod Bush Assembly Non – Repairable Poly Bush (as above 09.1521.18)
	09.1523.08	Shaft Hole Dia.= 24.0mm Boss O.D = 88104.7mm Boss Width = 63.5 Mm Shaft Hole To Hole = 133.0 Mm Shaft Across Flats = 32.0 Mm	For Kenworth (Off Road) Replaces: Rockwell A-2297 -K-1 051
	09.1523.18	Shaft Hole Dia.= 24.0mm Boss O.D = 88104.7mm Boss Width = 63.5 Mm Shaft Hole To Hole = 133.0 Mm Shaft Across Flats = 32.0 Mm	For Kenworth (Off Road) Non – Repairable Poly Bush Replaces: Rockwell A-2297 -K-1 051
	09.1526.18	Shaft Hole Dia.=26.0 Mm Boss O.D = 104.7mm Boss Width = 63.5 Mm Shaft Hole To Hole = 191.0 Mm Shaft Across Flats = 35.0mm	Kenworth C540 6 Rod Suspension Heavy Duty – Screw Type
	09.1651.18	Shaft Hole Dia.= 18mm Boss O.D = 69.87mm Boss Width = 61mm Shaft Hole To Hole = 111.0mm Shaft Across Flats = 29mm	2 Inch 49/64 Straddle Assembly Replaces Kenworth 227720: Airglide 100, Glide Ride, 4 Bag Airglide, 'Big 6" for use in stabiliser bar. Kenworth 836940: Airglide 200/400/460/690 International 1693061C1: Corporate Four Springs, 8100/9200 Single Axle, Corporate Air Hendrickson 44695 ATRO: TS38000 Torque Rod Bushing, TS59-22400 Straddle Bushing (High Articulation), SK70380

	<p>09.1656.28</p>	<p>OD = 2 3/4" Length = 8 1/6" Stud = 1 1/4" 12 TPI</p>	<p>Tapered Straddle Mount Pin Assembly Replaces ATRO TT38000A, TT38000, Neway 229610, Arvin Meritor R302228, R308651, Euclid E-2228, E-8651, GAFF 13518, 13533, Hendrickson 44697, 64400-004L, Kenworth 229610</p>
	<p>09.4200.08</p>	<p>Shaft Hole Dia= 18.0mm Shaft Hole To Hole= 111.0mm Shaft Across Flats= 29.0mm</p>	<p>Replaces: Kenworth K195-474 Airglide 200/400/460/690. ATRO / TR59-41474 High Articulation bushings. Full Rotation of pin. Including lateral movement of 11 Degrees Screw in type. Includes the following parts: Pin: 09.1651.03 (1) Poly Bushing:09.1651.09 (2) Screw-in Washer: 09.1651.06 (1)</p>
	<p>09.7972.9</p>	<p>I.D = 102.0mm O.D= 127.0mm Length= 125.0mm</p>	<p>Trunnion Bushes and Pad, For Kenworth Big 6 Truck Spring Suspensions Replaces: 2 x 1225D30A Meritor Bushes</p>
	<p>12.K066-95</p>	<p>I.D = 105mm O.D=138 mm Overall Length= 132mm</p>	<p>Kenworth Suspension Bush Replaces Kenworth K066-95</p>
	<p>09.1340.08</p>	<p>I.D = 22.5mm O.D= 55.7mm Length= 76.2mm</p>	<p>For a 7/8 Bolt to be used with 12.K102-1488 Rod</p>
	<p>12.K102-1488</p>	<p>Centre to Centre=575.5mm Length of Centre Pin= 76.2mm</p>	<p>Adjustable Cross Member Under Bell Torque Rod includes Bushing (Non-repairable)</p>

AFTERMARKET PARTS TO SUIT WESTERN STAR

Western Star Cab & Engine Parts

	PART NO.	DIMENSIONS	APPLICATION AND GENERAL INFORMATION
	12.J11729123	O.D = 40MM Overall Length = 64mm	Western Star 6900 Radiator Isolator Bush Replaces Western star J11729123
	12.J2124613	Lower Engine Mount Length 163mm", Width 80mm, Large OD 50mm, Centre to Centre 100mm Upper Engine Mount Length 185mm", Width 85mm, Large OD 50mm, Thickness 25mm	Western Star Upper & Lower Engine Mount Replaces Western Start Part No: J2124613 Sold as one (1) unit
	12.1199L38A	98.40mm Length 98.40 Breadth 23.6mm Maximum Height	Western Star 4 Inch Spring Pack Button Type Wear Pad to Suit Meritor Axles
	12.1199L.40A	124.80mm Length 122.70 Breadth 25.4mm Maximum Height	Western Star 5 Inch Spring Pack Button Type Wear Pad to Suit Meritor Axles
	12.7000.08	Lower Engine Mount Length 1 3/16", ID 5/8", Large OD 3", Small OD 1 13/16" Upper Engine Mount Note- must use with 2 PL1015 mounts for lower position at same time. Dimensions: Length 6", Height 3/4", Width 3", ID 5/8", OD 1 7/8	Western Star Upper & Lower Engine Mount Replaces 04-9009997 x 1 OFF & 04-9009996 x 2OFF 12004-3402 & 04-9009997 & 04.900999 & K066-228
	99.BTC.633033479	Centre to Centre 364mm Hole Size 13mm	Western Star Cab Cross Brace Replaces Western Star Part No.633033479
	99.BTC.CCB2204143	O.D. = 87mm Length = 76mm I.D = 16mm	Isolator Cab Support - Poly Replaces Western Star Part No. CCB2204143
 <p>Top & Bottom view sold individually</p>	99.A1718108001.70	Length = 101mm Width = 76mm Depth = 38mm Holes Centres are 50mm	Western Star Isolator Rear Support Hood Replaces A1718108001.70
	99.BTC.05-16070	ID= 17mm OD = 76.2mm Overall Length= 50mm	Western Star 4900 Radiator Mount 2013 Model - 2 Piece 75 Duro Polyuthrane Replaces: 05-16070-000

	99.BTC.373023403	Large O.D. = 47.6mm Small O.D. = 36.5mm Length = 30.2mm I.D = 25.4mm	Western Star Shock Bush Replaces GAFF 30507, EUCLID E-7529, ATRO PL1139
	99.A17.16123002		Aftermarket Western Star V - Block Mount (Large) Sold as one (1) unit / pair Replaces Western Star Part Number: A1716123002
	99.WS.670093436		Aftermarket Western Star V - Block Mount (small) Sold as one (1) unit / pair Replaces Western Star Part Number: WS.670093436
	99.A171841025000		Hood Support Bushing For Western Star Mount Assembly
	A17.18932000LH		Western Star Mount Assembly - Hood Standard - Left Hand
	A17.18932000RH		Western Star Mount Assembly - Hood Standard - Right Hand
	99.A1717376000		Western Star Bonnet Knife Blade Support Arm Left Hand & Right Hand Sold as a Pair
	99.A17940.00		Western Star Bonnet Knife Blade Support Arm Right Hand & Left Hand Sold as a Pair Replaces: A17940.00
	99.A17925.00		Western Star Bonnet Knife Blade Support Arm Right Hand & Left Hand Sold as a Pair Replaces: Western Star 4900 Series Truck
	99.BTC.1847550002.08M		Rod End Hood Pivot - With Poly Ball

	99.BTC.0100	Western Star ABS Valve Muffler Insert Made out of aluminum instead of plastic to avoid replacing
	99.BTC.373033417HD	Western Star Front Shocker Arm Replacement.
	99.BTC.CCB2204143	Western Star Isolator Cab Support – Poly Replaces Western Star Part No: CCB2204143.
 Top & Bottom view - sold individually	99.BTC.CB11245	Western Star Isolator Cab Support – Poly Replaces Western Star Part No: CCB11245
 Top & Bottom view - sold individually	99.WS.0673873000	Western Star Battery Box Bush Replaces Western Star 0673873000
 Top & Bottom view - sold individually	99.WS.120053414	Western Radiator Mount Replaces Western Star 120053414

Western Star Chassis Brackets

	PART NO.	APPLICATION AND GENERAL INFORMATION
	99.BTC.STYX2009.0	Aluminium cab shock bracket
	99.BTC.STYX2010	Steel shock absorber bracket RH
	99.BTC.STYX2011	Steel shock absorber bracket LH
	99.BTC.STYX2012	Steel bracket to chassis black

Western Star Suspension Bushes

	PART NO:	DIMENSIONS	APPLICATION AND GENERAL INFORMATION
	09.1520.08	Shaft Hole Dia.= 26.0mm Boss O.D.= 104.7mm Boss Width= 63.5mm Shaft Hole To Hole= 135.7mm Shaft Across Flats= 34.9mm	For Mack, Neway AD. 252-11 ,Rockwell (Large 0.0. Boss - Large Shaft) and Western Star Replaces: Mack 380F29402M Rockwell A-2297-D-82A Rockwell A-2297-X-3664
	09.1520.18	Shaft Hole Dia.= 26.0mm Boss O.D.= 104.7mm Boss Width= 63.5mm Shaft Hole To Hole= 135.7mm Shaft Across Flats= 34.9mm	Non – Repairable Poly Bush (as above 09.1520.08)
	09.1520.28	SHAFT OVER ALL LENGTH = 200.0mm BOSS O.D.= 104.7mm BOSS WIDTH= 63.5 SHAFT THREAD= 1-1/4" 12TPI UNF SHAFT TAPER LENGTH=73.8mm SHAFT TAPER DIA.= 35.3mm	For Mack and Neway AD. 252-11 Suspensions Replaces: Mack 38QF29403
	09.1654.08	Shaft Hole Dia.= 21.0mm Boss O.D.= 63.5mm Boss Width= 91mm Shaft Hole To Hole= 144mm Shaft Across Flats= 23mm	Spring Eye Bush - Western Star REPLACES: Freightliner 16- 18035-00, 681-325- 02-50. 681-325-01- 50, 16-139632-00 And ATRO UB20500 and International 3538115C1

AFTERMARKET PARTS TO SUIT NEWAY SUSPENSION



	PART NO:	DIMENSIONS	APPLICATION AND GENERAL INFORMATION
	09.1667.08	Overall Length. =128.0mm O.D= 88mm I.D = 29.5mm	Neway/Holland - Pivot Connection Bush Replaces 90008252, Ad123-246-369, Ad126-252-378, Ad130-260-390 Drive Air (Single-Tan Dem - Tri-Axle Suspension)
	09.1666.08	Overall Length. =152.0mm O.D= 100.0mm I.D = 64.0mm	Neway/Holland - Rear Beam Centre Bush Replaces 90008225, AD123-246-369, AD126-252-378, AD130-260-390 Drive Air (Single-Tan Dem - Tri-Axle Suspension)
	09.1668.08	Overall Length. =133.0mm O.D= 104.0mm I.D = 67.0mm	Neway/Holland - Transverse Connection Bush Replaces 90008135, Ad123-246-369, Ad126-252-378, Ad130-260-390 Drive Air (Single-Tan Dem - Tri-Axle Suspension)
	09.1669.08	Overall Length. =134.0mm O.D= 98.0mm I.D = 32.0mm	Neway/Holland -Front Pivot Connection Bush 90008151 To Suit AD-126/252/378/123/246/369
	09.1670.08	Overall Length. =152.0mm O.D= 100.0mm I.D = 64.0mm	Neway/Holland - Bushing Transverse 90008219 To Suit AD-126/252/378/123/246/369
	09.1671.08	O.D =100.0mm Hole Dia. = 25.6mm Boss O.D= 100.0mm Boss Width = 126.0mm Centre to Centre = 215.90mm Across Flats=57.0m	Neway/Holland - Bushing Beam Center Bar Pin Style 90508012 To Suit AD-126/252/378 Shaft
	09.1672.08	Hole Dia. = 25.6mm Boss O.D= 100mm Centre to Centre = 215.90mm Across Flats=46.8mm	Neway AD-246 Kenworth Bushing Center Beam Bar Style Pin Full Rotation - Replaces 90008175

AFTERMARKET PARTS TO SUIT ISUZU, MITSUBISHI, FUSO & HINO TRUCKS

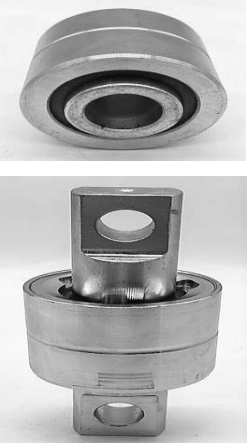
Isuzu, Mitsubishi, Fuso & Hino Suspension & Bushes

	PART NO:	DIMENSIONS	APPLICATION AND GENERAL INFORMATION
	09.1522.08	Shaft Hole Dia. =19.1mm Boss O.D= 105.1mm Boss Width= 52.0mm Shaft Hole To Hole=110.0mm Shaft Across Flats=32.0mm	For Hino, Isuzu, and Nissan UD Replaces: Hino 49305-1110, Isuzu 1515190412, Nissan 55542-2-2001 & 55542-Z-2005
	09.1522.18	Shaft Hole DIA = 19.1mm Boss O.D= 105.1mm Boss Width= 52.0mm Shaft Hole To Hole= 110.0mm Shaft Across Flats=32.0mm	Non-Repairable Bush (As Above 09.122.08)
	09.1522.28	Large OD =55.30mm Small OD = 47.50mm Length of Taper = 54.7mm	Torque Rod Bush – 6 Rod Suspension For Hino, Isuzu, and Nissan UD (Non-Repairable)
	99.48423.08	Shaft Hole DIA=19.0mm Boss O.D=85.8mm Boss Width=76.8mm Shaft Hole To Hole=136.Mm Shaft Across Flats=32.0mm	Mitsubishi & Fuso Front Of Rear Shackle Bush & Pin FV547 Replaces: MK332264, MITSUBISHI FUSO 3M0708, FM67F 03 -08 FIGHTER 10.0 - 6M60-1AT1 7.5L 03 - 08 PIN FOR SHACKLE FN63F FN64F 03-08 FIGHTER 14.0-6M60-1AT27.5L 03-08 FV547 98-03 FV54J. 53Y0604 Assembly 85mm
	99.48423.18	Shaft Hole DIA=19.0mm Boss O.D=85.8mm Boss Width=76.8mm Shaft Hole To Hole=136.Mm Shaft Across Flats=32.0mm	Heavy Duty Version Mitsubishi & Fuso Front Of Rear Shackle Bush & Pin FV547 Replaces: MK332264, MITSUBISHI FUSO 3M0708, FM67F 03 -08 FIGHTER 10.0 - 6M60-1AT1 7.5L 03 - 08 PIN FOR SHACKLE FN63F FN64F 03-08 FIGHTER 14.0-6M60-1AT27.5L 03-08 FV547 98-03 FV54J. 53Y0604 Assembly 85mm
	99.MC016571.08	Shaft Hole Dia= 24mm Boss O.D= 76mm Boss Width=71.5mm Shaft Across Flats=92mm	Mitsubishi Fuso Truck Torque Rod Bush Suits: FK65F-2011 only, FM677 - FM67F - FN63F FN64F FP547 FP54J FP54S - FV547 FV54J FV54S MC016571 ** SUITS OUR RODS ONLY **

AFTERMARKET PARTS TO SUIT FREIGHTLINER TRUCKS


	PART NO:	DIMENSIONS	APPLICATION AND GENERAL INFORMATION
	12.6500.08	Length = 90.488mm I.D= 15.875mm O.D = 95.25mm	Freightliner Cab Pivot Bushing Replaces Freightliner 18-64205-000, 18-45959-000 & ATRO CM46-61959.
	PART NO:	DIMENSIONS	APPLICATION AND GENERAL INFORMATION
	09.1654.08	Shaft Hole DIA.= 21.0mm Boss O.D.= 63.5mm Boss Width= 91mm Shaft Hole To Hole= 144mm Shaft Across Flats= 23mm	Spring Eye Bush - Freightliner REPLACES: Freightliner 16-18035-00, 681-325-02-50, 681-325-01-50, 16-139632-00 And ATRO UB20500 and International 3538115C1

AFTERMARKET PARTS TO SUIT INTERNATIONAL TRUCKS


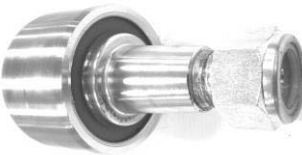
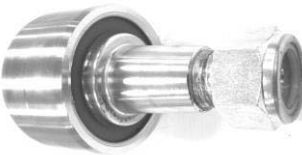
	PART NO:	DIMENSIONS	APPLICATION AND GENERAL INFORMATION
	09.1659.08	OD = 76.35mm Bush Length = 64mm Pin Length = 82mm ID = 28.8mm	Hendrickson Torque Rod Bush Replaces: 45477.000L, Atro IN35190
	09.1659.18	OD = 76.35mm Bush Length = 64mm Bolt Hole = 20mm Center to Center =144mm	Hendrickson Torque Rod Bush Replaces: 45477.001L, Atro IN35180

AFTERMARKET PARTS TO SUIT IVECO TRUCKS

Iveco Cab & Engine Parts



	PART NO:	DIMENSIONS	APPLICATION AND GENERAL INFORMATION
	99.IVECO.9 7384377	OD = 78.15mm Width = 63.22mm ID = 15.85mm	Iveco Stralis Front Cab Pivot Bush

Iveco & ACCO Suspension Parts



	PART NO:	DIMENSIONS	APPLICATION AND GENERAL INFORMATION
	09.1905.08	OD = 60.60mm ID = 22.60mm Length = 117mm	Iveco Front Bushing Replaces Iveco HD 40432-000
	09.1906.8	OD = 46.6mm ID = 19.65mm Length = 107mm	Iveco Bush Airtec Spring Replaces Iveco HD 40443-000
	99.ACCO.08	OD = 79.5mm Width = 48.4mm Overall Length = 137mm (inc tapered pin)	International Acco F1, F2, & F5 4 x 4 Ex-Army Truck Straddle Mount Assembly

AFTERMARKET PARTS TO SUIT EUROPEAN TRUCKS




MAN Suspension Bushes

	PART NO:	DIMENSIONS	APPLICATION AND GENERAL INFORMATION
	09.1509.08	Shaft Hole Dia=19.0mm Boss O.D=80.0mm Boss Width=55.0mm Shaft Hole To Hole =130.0mm Shaft Across Flats =30.0mm	For MAN. Bus (80mm O.D. Bush) Replaces: MAN. 81-43230-6043
	09.1510.08	Shaft Hole Dia=19.0mm Boss O.D=85.0mm Boss Width=55.0mm Shaft Hole To Hole =130.0mm Shaft Across Flats =30.0mm	For MAN. (85mm O.D. Bush) and 86 Model Volvo Replaces: MAN. 81-95302-0059


Mercedes Suspension Bushes

	PART NO:	DIMENSIONS	APPLICATION AND GENERAL INFORMATION
	09.1506.08	Shaft Hole Dia =21.0mm Boss O.D=85.0mm Boss Width = 55.0mm Shaft Hole To Hole =152.0mm Shaft Across Flats =24.3mm	For Mercedes (85mm O.D.Bush) Replaces: Mercedes A-000-350-06-13
	PART NO:	DIMENSIONS	APPLICATION AND GENERAL INFORMATION
	09.1511.08	Shaft Hole Dia=21.0mm Boss O.D=80.0mm Boss Width=55.0mm Shaft Hole To Hole =152.0mm Shaft Across Flats=24.0mm	For Mercedes Bus (80mm O.D. Bush) Replaces: Mercedes A-000-586-14-33



Scania and Volvo Suspension

	PART NO.	SHAFT HOLE DIA.	BOSS O.D.	BOSS WIDTH	SHAFT HOLE TO HOLE	SHAFT ACROSS FLATS	APPLICATION AND GENERAL INFORMATION
	09.1661.08	17.5	75.2	59	115	24	Straddle Bush Assembly Scania V-Rods for buses. Replace Part No: 1517403
	PART NO.	SHAFT HOLE DIA.	BOSS O.D.	BOSS WIDTH	SHAFT HOLE TO HOLE	SHAFT ACROSS FLATS	APPLICATION AND GENERAL INFORMATION
	09.1660.08	19.5	84	68	116	24	Straddle Bush Assembly Volvo . V – Rods Replacement
	PART NO.	SHAFT HOLE DIA.	BOSS O.D.	BOSS WIDTH	SHAFT HOLE TO HOLE	SHAFT ACROSS FLATS	APPLICATION AND GENERAL INFORMATION
	98.20592656	24.20	62	80	ID = 24.20mm Overall Length = 96mm		Volvo Front Axle Leaf Spring Bush


Volvo Engine Mount

	PART NO:	APPLICATION AND GENERAL INFORMATION
	98.21992070.08	Volvo Engine Mount Replaces: Volvo 21992070



AFTERMARKET PARTS TO SUIT DENNIS EAGLE TRUCKS

	PART NO:	APPLICATION AND GENERAL INFORMATION
	99.DE.614104	Dennis Eagle Front Cab Pivot Bush
	99.DE.803523	Dennis Eagle Rear Cab Mount Bush

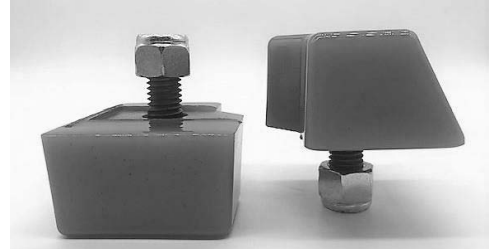
AFTERMARKET PARTS TO SUIT DAF TRUCKS

	PART NO:	DIMENSIONS	APPLICATION AND GENERAL INFORMATION
	12.1671219	O.D. = 61.0mm I.D. = 24.0mm Length = 86.0mm	DAF Spring Eye Bush

AFTERMARKET PARTS TO SUIT RFW TRUCKS

	PART NO:	APPLICATION AND GENERAL INFORMATION
	99.RFW.08	RFW PERMATRAX RADIUS ROD BUSH 70 x 25 x 63mm
	99.RFW.001	RFW Engine Mounting Bush

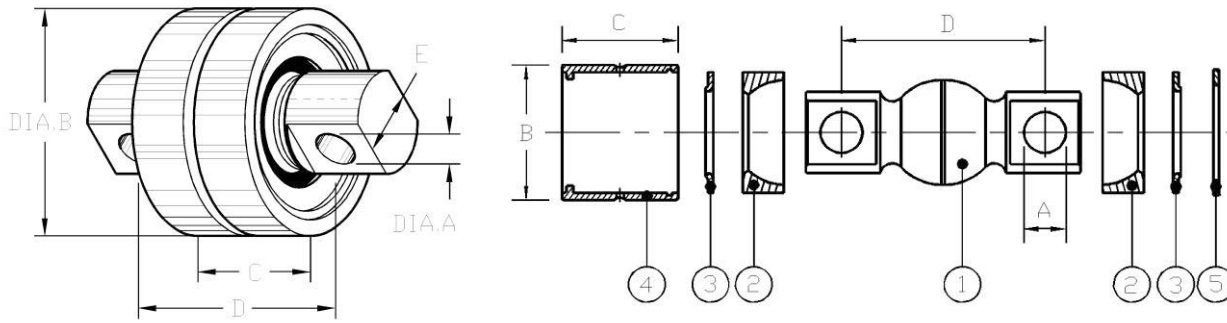
AFTERMARKET PARTS TO SUIT FORD LOUISVILLE

	PART NO:	APPLICATION AND GENERAL INFORMATION
	99.FORD.03	Ford Louisville L Series Bonnet Block LH & RH Sold As a Kit

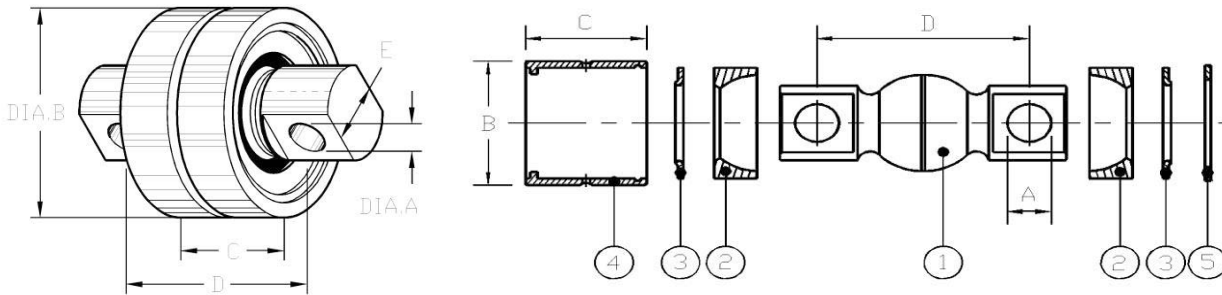
OVERVIEW - TORQUE ROD BUSH ASSEMBLIES LIST

PART NO.	INFORMATION
09.1501.08	Mack Lightweight, 38,000 lb and Heavyweight - Straddle Mount
09.1501.28	Heavy Duty Mack Lightweight, 38,000 lb and Heavyweight - Straddle Mount
09.1504.18	Mack Berliet 3045 - Straddle Mount
09.1505.08	Mack - Straddle Mount. Replaces: Mack: FAMACTSM442
09.1506.08	For Mercedes (85mm O.D. Bush). Replaces: Mercedes A-000-350-06-13
09.1509.08	For MAN. Bus (80mm O.D. Bush). Replaces: MAN. 81-43230-6043
09.1510.08	For MAN. (85mm O.D. Bush) and 86 Model Volvo . Replaces: MAN. 81-95302-0059
09.1511.08	For Mercedes Bus (80mm O.D. Bush). Replaces: Mercedes A-000-586-14-33
09.1516.08	Rockwell - Small O.D. Boss - Straddle Mount Replaces: Rockwell: A-2297 -H-1 048
09.1517.08	Mack, Neway AD. 252-11 and Rockwell- Straddle Mount . Replaces: Mack: 38QF29407M
09.1517.18	Non – Repairable Mack, Neway AD. 252-11 and Rockwell- Straddle Mount .Replaces: Mack: 38QF29407M
09.1517.28	Mack, Neway AD. 252-11 and Rockwell- Tapered Shaft. Replaces: Mack: 38QF29408M
09.1519.08	Rockwell - Large O.D. Boss - Small Shaft - Straddle Mount Replaces: Rockwell: A-2297 -L-1 052 , Rockwell: A-2297 -P-3162 Rockwell: A-2297-Q-17A
09.1519.18	Non – Repairable. Rockwell - Large O.D. Boss - Small Shaft - Straddle Mount Replaces: Rockwell: A-2297 -L-1 052 , Rockwell: A-2297 -P-3162 Rockwell: A-2297-Q-17A
09.1520.08	Mack, Neway AD. 252-11, Rockwell and Western Star - Large O.D. Boss - Large Shaft - Straddle Mount Replaces: Mack: 38QF29402M, Rockwell: A-2297-D-82A, Rockwell: A-2297-X-3664
09.1520.18	Non- Repairable Mack, Neway AD. 252-11, Rockwell and Western Star - Large O.D. Boss - Large Shaft – Straddle Mount. Replaces: Mack: 38QF29402M, Rockwell: A-2297-D-82A, Rockwell: A-2297-X-3664
09.1520.28	Mack and Neway AD. 252-11 - Tapered Shaft. Replaces: Mack: 38QF29403M
09.1521.08	Kenworth - Standard - Straddle Mount. Replaces: Kenworth:K066C259 , Rockwell: A-2297 -R-18A
09.1521.18	Non- Repairable Kenworth - Standard - Straddle Mount. Replaces: Kenworth:K066C259 , Rockwell: A-2297 -R-18A
09.1522.08	Hino, Isuzu and Nissan UD - Straddle Mount Replaces: Hino: 49305-1110, Isuzu: 1515190412 Nissan: 55542-Z-2001 Nissan: 55542-Z-2005 BP1316
09.1522.18	Non – Repairable - Hino, Isuzu and Nissan UD - Straddle Mount Replaces: Hino: 49305-1110, Isuzu: 1515190412 Nissan: 55542-Z-2001 Nissan: 55542-Z-2005
09.1523.08	For Kenworth (Off-Road). Replaces Rocwell A-2297-K-1051
09.1525.08	Straddle Mount For Mack
09.1526.18	Kenworth C540 6 Rod Suspension (Heavy Duty)
09.1650.08	Replaces: Kenworth C13-6001 Airglide 380. ATRO SU00-29001 Spring Link Bushing
09.1651.18	Non – Repairable. Replaces: Kenworth 227720: Airglide 100, Glide Ride, 4 Bag Airglide, 'Big 6" for use in stabiliser bar.Kenworth 836940: Airglide 200/400/460/690 International 1693061C1: Corporate Four Springs, 8100/9200 Single Axle, Corporate Air Hendrickson 44695, Mack 1688-227720: SS34/38, ST34 Taper Leaf, Mack 240530 (SS44, SW557, SW5573 Camelback
09.1653.08	3 Inch Straddle Assembly. Replaces: Mack
09.1656.28	Mack Tapered Straddle Mount Pin Assembly. Replaces ATRO TT38000A, TT38000, Neway 229610, Arvin MeritorR302228, R308651, Euclid E-2228, E-8651, GAFF 13518, 13533, Hendrickson 44697, 64400-004L, Kenworth 229610
98.1688.227720	2 Inch 3/4 Straddle Assembly Suits Mack Torque Rod And Swaybar Bar Straddle Bushing Replaces ATRO TS38000 & TS38095
99.48423.08	Front of Rear Shackle Bush & Pin Assembly 85mm Mitsubishi / Fuso

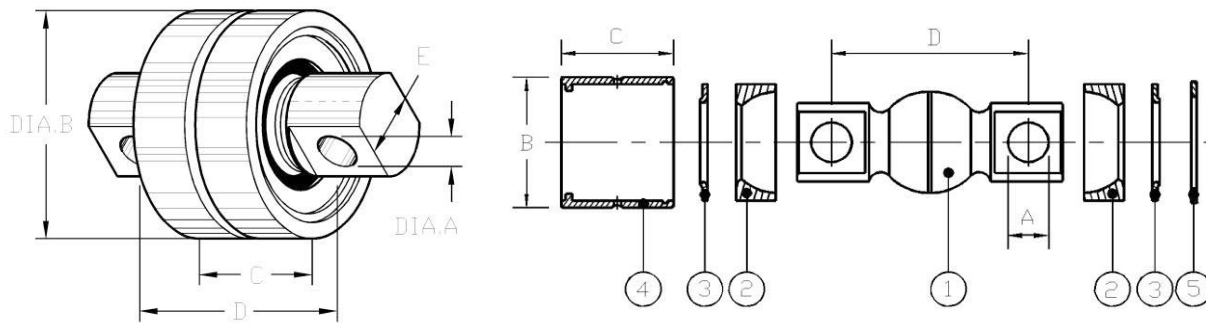
TORQUE ROD BUSH ASSEMBLY – STRADDLE MOUNT



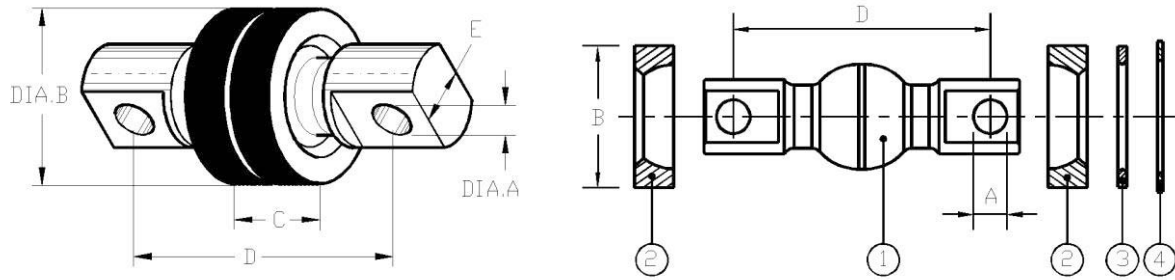
PART NO.	INCLUDES	A SHAFT HOLE DIA.	B BOSS O.D.	C BOSS WIDTH	D SHAFT HOLE TO HOLE	E SHAFT ACROS S FLATS	APPLICATION AND GENERAL INFORMATION
09.1501.08	1. 09.1501.03 Shaft (1) 2. 09.1501.09 Bush-Red (2) (Heavy Duty Bush) 3. 09.1501.06 Washer (2) 4. 09.1501.05 Boss Outer (1) 5. 38.130.068 Circlip (1) 09.1501.11 (2) and 09.1501.21 (2) Shaft Hole Converters - Not Shown	23.0	76.2	63.5	111.1	28.6	For Mack Lightweight, 38,000 lb., & Heavyweight Suspensions
09.1504.18	1. 09.1504.23 Shaft (1) 2. 09.1521.09 Bush-Red (2) (Heavy Duty Bush) 3. 09.1528.06 Washer (1) 4. 09.1528.07 Washer (1) 5. 38.130.090	19.1	104.7	58.0	145.0	30.2	For Mack Berliet 3045
09.1516.08	1. 09.1516.03 Shaft (1) 2. 09.1516.09 Bush-Red (2) (Heavy Duty Bush) 3. 09.1516.06 Washer (2) 4. 09.1516.05 Boss Outer (1) 5. 38.130.080 Circlip (1)	17.0	92.1	50.0	111.1	32.4	For Rockwell (Small O.D. Boss) Replaces: Rockwell A-2297 -H-1 048
09.1522.08	1. 09.1522.03 Shaft (1) 2. 09.1522.09 Bush-Red (2) (Heavy Duty Bush) 3. 09.1522.06 Washer (2) 4. 09.1522.05 Boss Outer (1) 5. 38.130.090 Circlip (1)	19.1	105.1	52.0	110.0	32.0	For Hino, Isuzu, and Nissan UD Replaces: Hino 49305-1110, Isuzu 1515190412, Nissan 55542-2-2001 & 55542-Z-2005 BP1316
09.1522.18	Non – Repairable Poly Bush	19.1	105.1	52.0	110.0	32.0	Non-Repairable Bush (as above 09.1522.08).



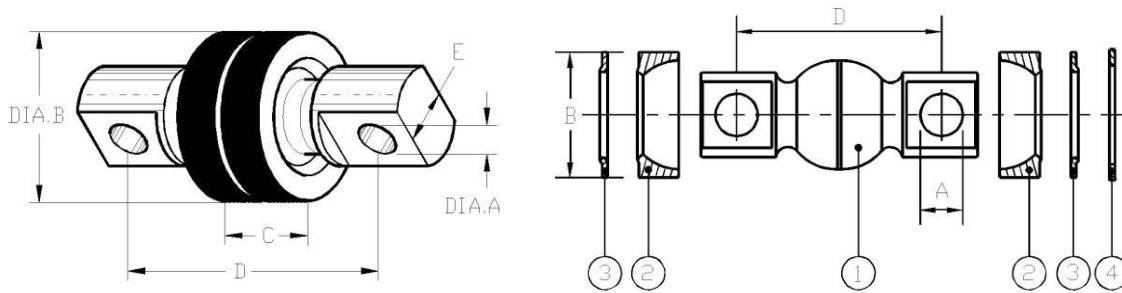
PART NO.	INCLUDES	A SHAFT HOLE DIA.	B BOSS O.D.	C BOSS WIDTH	D SHAFT HOLE TO HOLE	E SHAFT ACROSS FLATS	APPLICATION AND GENERAL INFORMATION
09.1517.08	1. 09.1517.03 Shaft (1) 2. 09.1505.09 Bush-Red (2) (Heavy Duty Bush) 3. 09.1517.06 Washer (2) 4. 09.1517.05 Boss Outer (1) 5. 38.130.680 Circlip (1)	19.8	88.8	68.0	111.1	36.3	For Mack, Neway AD. 252-11 and Rockwell Suspensions Replaces: Mack 380F29407M
09.1517.18	Non – Repairable Poly Bush	19.8	88.8	68.0	111.1	36.3	Non – Repairable Poly Bush (as above – 09.1517.08)
09.1519.08	1. 09.1519.03 Shaft (1) 2. 09.1521.09 Bush-Red (2) (Heavy Duty Bush) 3. 09.1521.06 Washer (2) 4. 09.1521.05 Boss Outer (1) 5. 38.130.090 Circlip (1)	16.7	104.7	63.5	111.1	31.8	For Rockwell (Large O.D. Boss - Small Shaft) Replaces: Rockwell A-2297-L-1052, A-2297-P-3162 & A-2297 -0-17 A
09.1519.18	Non – Repairable Poly Bush	16.7	104.7	63.5	111.1	31.8	Non – Repairable Poly Bush (as above 09.1519.08)
09.1520.08	1. 09.1520.03 Shaft (1) 2. 09.1521.09 Bush-Red (2) (Heavy Duty Bush) 3. 09.1521.06 Washer (2) 4. 09.1521.05 Boss Outer (1) 5. 38.130.090 Circlip (1)	26.0	104.7	63.5	135.7	34.9	For Mack, Neway AD. 252-11 ,Rockwell (Large O.O. Boss - Large Shaft) and Western Star Replaces: Mack 380F29402M Rockwell A-2297-D-82A Rockwell A-2297-X-3664
09.1520.18	Non – Repairable Poly Bush	26.0	104.7	63.5	135.7	34.9	Non – Repairable Poly Bush (as above 09.1520.08)
09.1521.08	1. 09.1521.03 Shaft (1) 2. 09.1521.09 Bush-Red (2) (Heavy Duty Bush) 3. 09.1521.06 Washer (2) 4. 09.1521.05 Boss Outer (1) 5. 38.130.090 Circlip (1)	19.5	104.7	63.5	111.1	34.9	For Kenworth (Standard) Replaces: Kenworth K066C259 and Rockwell A-2297-R-18A
09.1521.18	Non – Repairable Poly Bush	19.5	104.7	63.5	111.1	34.9	Non – Repairable Poly Bush (as above 09.1521.18)
09.1523.08	1. 09.1520.03 Shaft (1) 2. 09.1521.09 Bush-Red (2) (Heavy Duty Bush) 3. 09.1521.06 Washer (2) 4. 09.1521.05 Boss Outer (1) 5. 38.130.090 Circlip (1)	24.0	104.7	63.5	133.0	32.0	For Kenworth (Off Road) Replaces: Rockwell A-2297 -K-1 051
09.1525.08	1. 09.1525.03 Shaft (1) 2. 09.1521.09 Bush-Red (2) (Heavy Duty Bush) 3. 09.1521.06 Washer (2) 4. 09.1521.05 Boss Outer (1) 5. 38.130.090 Circlip (1)	21.0	104.7	63.5	152.0	35.0	For Mack
09.1526.08	1. 09.1526.03 Shaft (1) 2. 09.1521.09 Bush-Red (2) (Heavy Duty Bush) 3. 09.1526.15 Washer (2) 4. 09.1526.16 Boss Outer (1)	26.0	104.7	63.5	191.0	35.0	Kenworth C540 6 Rod Suspension



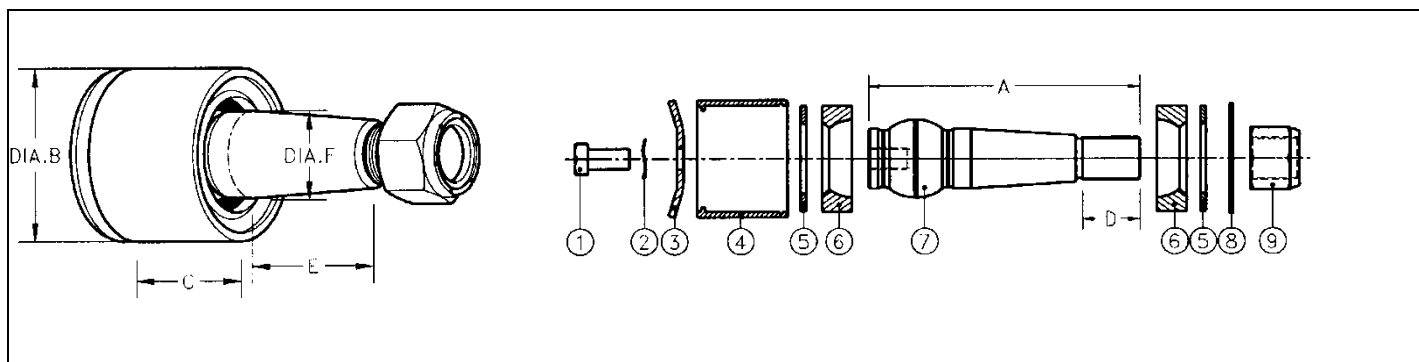
PART NO.	INCLUDES	A SHAFT HOLE DIA.	B BOSS O.D.	C BOSS WIDTH	D SHAFT HOLE TO HOLE	E SHAFT ACROSS FLATS	APPLICATION AND GENERAL INFORMATION
09.1650.08	1. 09.1650.03 2. 09.1651.04 3. 09.1650.06 4. 09.1650.09	16.6	60.33	62.98	111.0	25.1	Replaces: Kenworth C13-6001 Airglide 380 ATRO SU00-29001 Spring Link Bushing
09.1651.18	Non – Repairable Poly Bush	18	69.87	61	111.0	29	Non – Repairable Poly Bush Replaces: Kenworth 227720: Airglide 100, Glide Ride, 4 Bag Airglide, 'Big 6" for use in stabiliser bar. Kenworth 836940: Airglide 200/400/460/690 International 1693061C1: Corporate Four Springs, 8100/9200 Single Axle, Corporate Air Hendrickson 44695 Mack 1688-227720: SS34/38, ST34 Taper Leaf, Mack 240530 (SS44, SW557, SW5573 Camelback ATRO: TS38000 Torque Rod Bushing, TS59-22400 Straddle Bushing (High Articulation), and Straddle Pin 360 Degrees Rotation, 11 Degrees lateral.
09.1653.08	1. 09.1653.04F 2. 09.1653.05 F 3. 09.1651.03	18	76.2	61.95	111.0	29	Replaces: Mack ATRO: TS46000



PART NO.	INCLUDES	A SHAFT HOLE DIA.	B BOSS O.D.	C BOSS WIDTH	D SHAFT HOLE TO HOLE	E SHAFT ACROSS S FLATS	APPLICATION AND GENERAL INFORMATION
09.1505.08	1. 09.1505.03 Shaft (1) 2. 09.1505.09 Bush-Red (2) (Heavy Duty Bush) 3. 09.1505.06 Washer (1) 4. 38.130.080 Circlip (1)	19.1	80.0	55.0	145.0	30.2	For Mack Replaces: Mack FAMACTSM442
09.1511.08	1. 09.1511.03 Shaft (1) 2. 09.1511.09 Bush-Red (2) (Heavy Duty Bush) 3. 09.1511.06 Washer (1) 4. 38.130.080 Circlip (1)	21.0	80.0	55.0	152.0	24.0	For Mercedes Bus (80mm O.D. Bush) Replaces: Mercedes A-000-586-14-33



PART NO.	INCLUDES	A SHAFT HOLE DIA.	B BOSS O.D.	C BOSS WIDTH	D SHAFT HOLE TO HOLE	E SHAFT ACROSS S FLATS	APPLICATION AND GENERAL INFORMATION
09.1506.08	1. 09.1506.03 Shaft (1) 2. 09.1506.09 Bush-Red (2) (Heavy Duty Bush) 3. 09.1506.06 Washer (2) 4. 38.130.085 Circlip (1)	21.0	85.0	55.0	152.0	24.3	For Mercedes (85mm O.D. Bush) Replaces: Mercedes A-000-350-06-13
09.1509.08	1. 09.1509.03 Shaft (1) 2. 09.1507.09 Bush-Red (2) (Heavy Duty Bush) 3. 09.1516.06 Washer (2) 4. 38.130.080 Circlip (1)	19.0	80.0	55.0	130.0	30.0	For MAN. Bus (80mm O.D. Bush) Replaces: MAN. 81-43230-6043
09.1510.08	1. 09.1510.03 Shaft (1) 2. 09.1506.09 Bush-Red (2) (Heavy Duty Bush) 3. 09.1506.06 Washer (2) 4. 38.130.085 Circlip (1)	19.0	85.0	55.0	130.0	30.0	For MAN. (85mm O.D. Bush) and 86 Model Volvo Replaces: MAN. 81-95302-0059



PART NO.	INCLUDES	A SHAFT OVER ALL LENGTH	B BOSS O.D.	C BOSS WIDTH	D SHAFT THREA D	E SHAFT TAPER LENGTH	F SHAFT TAPER DIA.	APPLICATION AND GENERAL INFORMATION
09.1517.28	1. 71.058.10.125 Bolt(1) 2. 70.111.10 Washer (1) 3. 09.1520.26 Washer (1) 4. 09.1517.05 Boss Outer (1) 5. 09.1517.26 Washer (2) 6. 09.1505.09 Bush-Red (2) 7. 09.1517.23 Shaft (1) 8. 38.130.085 Circlip (1) 9. 71.611.20 Nyloc Nut(1)	203.5	88.8	68.0	1-1/4" 12 TPI UNF	78.4	45.0	For Mack, Newway AD. 252-11 and Rockwell Suspensions Replaces: Mack 38QF29408M
09.1520.28	1. 71.058.10.125 Bolt(1) 2. 70.111.10 Washer (1) 3. 09.1520.26 Washer (1) 4. 09.1521.05 Boss Outer (1) 5. 09.1521.06 Washer (2) 6. 09.1521.09 Bush-Red (2) 7. 09.1520.23 Shaft (1) 8. 38.130.085 Circlip (1) 9. 71.611.20 Nyloc Nut(1)	200.0	104.7	63.5	1-1/4" 12 TPI UNF	73.8	35.3	For Mack and Newway AD. 252-11 Suspensions Replaces: Mack 38QF29403M

TORQUE ROD & V-ROD BUSH

	PART NO.	DIMENSIONS (mm)	APPLICATION
	09.1533.09	Outside Dia. = 66mm Overall Width= 57mm	International Heavy Duty Bush Polyurethane A90 Colour: Red
	09.1810.9	Large OD (Taper)= 86.3mm Small OD (Taper) = 76.5mm ID= 60.7mm Overall Length: 55mm	Chalmers Suspension – V-Rod Bush Replaces: ATRO PL1047, EUCLID E-4677A, E-4678A, E-7427, E-8701 & TRB6328
	09.1811.9	Large OD (Taper)= 95.3mm Small OD (Taper) = 90mm Overall Length = 53.9mm	Chalmers Suspension – V-Rod Bush Replacement for Atro PL1046, Mack 10QK399, Meritor R307766, Chalmers 800010

TORQUE RODS

Here is why you should buy our Torque Rods ...

- Our rods are Repairable,
- Offer significant service period – ultimately giving your truck more time on the road.
- Doesn't Drift – poly bushing is all retained in the boss

If you are mechanic – the biggest benefit to you is...

- You only need to stock 2 types of bushing for all trucks which means that you don't have to carry heaps of stock with you & have a reduced cost of spare parts. Applicable to approx 80% of Torque Rods – excludes taper pins.

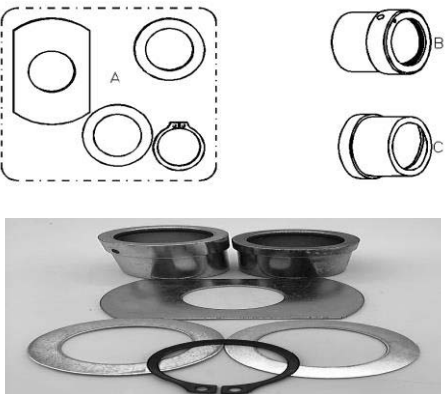
Our torque rods can be customised to suit Japanese, European and American Models, and also be customized for race, transport & retail.

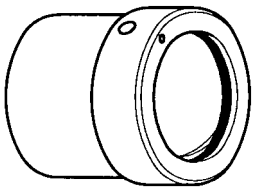
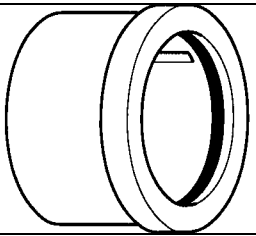
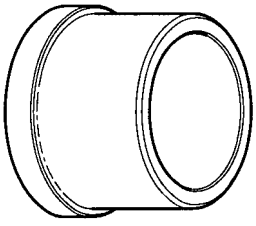


PART NO.	INCLUDES	A SHAFT HOLE DIA.	D SHAFT HOLE TO HOLE	E SHAFT ACROSS FLATS	APPLICATION AND GENERAL INFORMATION
09.4000.08	Includes the following parts: Pin: 09.1650.03 (1) Poly Bushing: 09.1650.09 (2) Screw-in Washer: 09.1650.06 (1)	17.0	111.0	25.4	GP TORQUE ROD ASSEMBLY TWO PIECE REPLACES HENDRICKSON BUSH 47691 TYPE 600 centre to centre torque rod and smaller.
09.4200.08	Includes the following parts: Pin: 09.1651.03 (1) Poly Bushing: 09.1651.09 (2) Screw-in Washer: 09.1651.06 (1)	18.0	111.0	29.0	Replaces: Kenworth K195-474 Airglide 200/400/460/690. ATRO / TR59-41474 High Articulation bushings. Screw in type. Full Rotation of pin. Including lateral movement of 11 degrees
09.4300.08	Includes the following parts: Pin: 09.1650.03 (1) Poly Bushing: 09.1650.09 (2) Screw-in Washer: 09.1650.06 (1)	17.0	111.0	25.4	GP Torque Rod Assembly 600 Centers - Above replaces Hendrickson Bush 47691 600 centre to centre torque rod and larger.

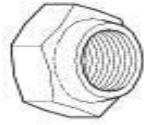
GENERAL PURPOSE PARTS

CAMSHAFT BUSHINGS

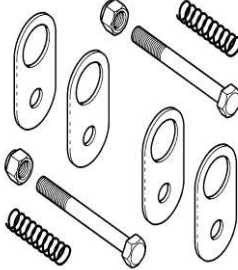
Part Number		APPLICATION AND GENERAL INFORMATION
01.0223.55		<p>A 1 03.2501.0 Washer ('D' Type, 38.5mm ID)</p> <p>1 03.2502.0 Washer (38.5 x 57 x 0.8mm)</p> <p>1 03.2503.0 Washer (38.5 x 57 x 1.6mm)</p> <p>1 03.2602.0 Circlip (Suits 1-1/2" Shaft)</p> <p>B 2 03.2119.5 Cam Bush (Plated Steel, 1 '0' Ring, 1-1/2' ID)</p> <p>C 1 03.2209.5 Cam Bush (Plated Steel, 1 '0' Ring, 1-1/2' ID)</p> <p>1-1/2" = 38.1mm</p> <p>Item A is the same as Kit 01.0123.00</p>

	PART NO.	O.D.	I.D	LENGTH	APPLICATION AND GENERAL
	03.2119.5	1-7/8" = 47.6mm	1-1/2" = 38.1mm	1.77" = 45.0mm	<p>For Eaton, Mack, and Rockwell Front and Drive Axles; Spline-End Bushing</p> <p>Plated Steel Bush Used in Support Bracket for Mack Fitted with Tayco Brakes Includes: 1 '0' Ring 03.2455.0</p>
	03.2209.2	1-7/8" = 47.6mm	1-1/2" = 38.1mm	1-31/64" = 37.7mm	<p>For Eaton, Mack, and Rockwell Front and Drive Axles; Spline-End and Cam Head End Bushing</p> <p>Nylon "Flanged" Includes: 1 '0' Ring 03.2455.0</p>
	03.2209.5	1-7/8" = 47.6mm	1-1/2" = 38.1mm	39mm	<p>For Eaton, Mack, and Rockwell Front and Drive Axles; Spline-End and Cam Head End Bushing</p> <p>Plated "Flanged" Steel Version Used in Spider for Mack Fitted with Tayco Brakes Includes: 1 '0' Ring 03.2455.0</p>


CAMSHAFT NUT

	PART NO.	APPLICATION AND GENERAL INFORMATION
	03.2608.0	<p>For Mack</p> <p>Use with Camshafts 03.1210.L & 03.1210.R.</p> <p>For BPW Camshafts. Replaces BPW 03.260.14.08.0</p>

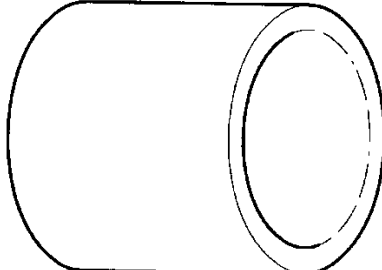
BRAKE SHOE ROLLER RETAINER KITS

	PART NO.	REPLACES AND INCLUDES	APPLICATION AND GENERAL INFORMATION
	03.3651.0	4 Retainer Plates (Not Sold Separate Small 1.0. 9.3mm and Large 1.0. 20.5mm Centre to Centre 28mm 2 71.035.05.275 Plated Bolts 5/16" UNF x 2-3/4" Long 2 71.635.05 Plated Cone lock Nuts 2 Stainless Steel Springs (Not Sold Separate)	General Purpose Tayco Bolt On Roller Retainer Use with 3/4" 0.0. Std. Rollers

ANCHOR PIN KITS

	PART NO.	APPLICATION AND GENERAL INFORMATION
	03.3305.08	Anchor Pin A 1259 D 4A Meritor

TRUNNION BUSHES AND PADS

POLYURETHANE 	PART NO.	DIMENSIONS	APPLICATION AND GENERAL INFORMATION
	09.7970.9	3-1/2" = 88.9mm I.D. 4-1/2" = 114.3mm O.D. 4-1/4" = 108.0mm Length	For Rockwell 6 Rod suspensions
	09.7972.9	102.0mm I.D. 127.0mm O.D. 125.0mm Length	For Kenworth Big 6 Truck Spring suspensions

Truck Parts Number Index

01.0123.00..... 2	09.1526.0812, 26	12.6105.8 10	98.38QF29402M..... 5
01.0131.00..... 2	09.1533.09..... 29	12.6106.9B 10	98.38QF29403M..... 5
01.0135.00..... 2	09.1650.08..... 27	12.6106.9T..... 10	98.38QF29407M..... 5
01.0223.55..... 2, 31	09.1651.1812, 27	12.6110.8 10	98.38QF29408M..... 5
03.0510.L..... 3	09.1652.18.....6, 8	12.6111.8 10	98.43RU39410M 2
03.0510.R 3	09.1653.08.....6, 27	12.6500.08 20	98.52MX39403M 4
03.0514.L..... 3	09.1654.08.....17, 20	12.7000.08 14	98.58648000..... 8
03.0514.R 3	09.1656.28.....6, 13	12.7010.08 11	98.6038300..... 8
03.0528.L..... 3	09.1659.08.....8, 20	12.7010.08HD 11	98.BTC373023403 15
03.0528.R 3	09.1659.18.....8, 20	12.7011.08HD 11	99. WS. 120053414 16
03.1210.L 3	09.1660.08..... 22	12.7100.9 11	99. WS.0673873000 ... 16
03.1210.R 3	09.1661.08..... 22	12.7500.08 11	99.48423.08..... 19
03.2119.5..... 4, 31	09.1665.18..... 8	12.E55.1128..... 11	99.48423.18 19
03.2209.2..... 4, 31	09.1666.08..... 18	12.J11729123 14	99.A17.16123002 15
03.2209.5..... 4, 31	09.1667.08..... 18	12.J2124613 14	99.A1717376000 15
03.2608.0..... 31	09.1669.08..... 18	12.K066-95..... 13	99.A1718108001.70 ... 14
03.3305.08 32	09.1670.08..... 18	12.K102-1488 13	99.A171841025000 15
03.3651.0..... 32	09.1671.08..... 18	12.K2335566 11	99.A17925.00 15
09.1340.08..... 13	09.1810.9 29	12.K350.2000 11	99.A17940.00 15
09.1501.08..... 25	09.1811.9 29	12.PL631003100.8 11	99.ACCO.08 21
09.1504.18..... 25	09.1905.08..... 21	98.10QK39403M..... 7	99.BTC.0100 16
09.1505.08..... 28	09.1906.8..... 21	98.1210.L..... 4	99.BTC.05-16070 14
09.1506.08..... 22, 28	09.4000.08..... 30	98.1210.R 4	99.BTC.1847550002.0 15
09.1509.08..... 21, 28	09.4200.0813, 30	98.140QM257M 1	99.BTC.373033417HD 16
09.1510.08..... 21, 28	09.4300.08..... 30	98.1688.227720 6	99.BTC.633033479 14
09.1511.08..... 22, 28	09.7970.9..... 32	98.204SX216 1	99.BTC.CB11245 16
09.1516.08..... 25	09.7972.913, 32	98.20592656..... 22	99.BTC.CCB220414314, 16
09.1517.08..... 5, 26	12.1199L38A.....9, 14	98.20874917P060916... 1	99.BTC.STYX2009.0 .. 16
09.1517.18..... 5, 26	12.1199L40A.....9, 14	98.20975430 1	99.BTC.STYX2010 16
09.1517.28..... 5, 24, 29	12.1671219..... 23	98.20975432 1	99.BTC.STYX2011 16
09.1519.08..... 26	12.16813AA 9	98.21036254 7	99.BTC.STYX2012 16
09.1519.18..... 26	12.6001.8..... 9	98.21286391 7	99.CUMFFK.0 11
09.1520.08..... 5, 17, 26	12.6002.8..... 9	98.21370896 7	99.DE.614104..... 23
09.1520.18..... 5, 17, 26	12.6003.8..... 9	98.21609754.09 1	99.DE.803523..... 23
09.1520.28..... 5, 17, 29	12.6004.9..... 9	98.21609754P0103..... 1	99.IVECO.97384377 .. 20
09.1521.08..... 12, 26	12.6005.8..... 9	98.21992070.08 22	99.MC016571.08 19
09.1521.18..... 12, 26	12.6006.8..... 9	98.24MH29403M3 4	99.RFW.001 23
09.1522.08..... 19, 25	12.6010.8..... 10	98.25115012 7	99.RFW.08 23
09.1522.18..... 19, 25	12.6011.8..... 10	98.25121334 1	99.WS.670093436 15
09.1522.28..... 19	12.6101.8..... 10	98.25164942 7	A17.18932000LH 15
09.1523.08..... 12, 26	12.6102.8..... 10	98.33MX49409M..... 4	A17.18932000RH..... 15
09.1525.08..... 6, 26	12.6103.8..... 10	98.38MH39401M 4	

All parts are manufactured to Australian standards.

For all enquiries phone (07) 3277 5111 or fax (07) 3875 1945 www.aussietruckparts.com.au

Truck Parts Catalogue Cross Reference		
Australian Truck & Trailer Part Numbers	Watts Part Numbers	Maxiparts Part Numbers
01.0101.00	WT3109	FB3109
01.0110.00	WT3108	FB3108
01.0120.00	WT3110	FB3110
01.0122.00	WT3111	FB3111
01.0223.00	WT9004	-
03.0112.L	WT2037	FB2057
03.0112.R	WT2038	FB2058
03.0121.L	WT2021	-
03.0121.R	WT2022	-
03.0214.L	WT2079	-
03.0214.R	WT2080	-
03.0222.L	WT2013	FB2029
03.0222.R	WT2014	FB2028
03.0226.L	WT2031	-
03.0226.R	WT2032	-
03.0260.L	WT2003	-
03.0260.R	WT2004	-
03.0274.L	WT2081	-
03.0274.R	WT2082	-
03.0318.L	WT2025	FB2022
03.0318.R	WT2026	FB2023
03.0514.L	WT2077	-
03.0514.R	WT2078	-
03.0526.L	WT2033	-
03.0526.R	WT2034	-
03.0537.L	WT2073	-
03.0537.R	WT2074	-
03.1701.0	WT3001	FB3001
03.1950.0	161-06106	-
03.1952.0	154-30126	-
03.2101.0	WT2101	FB2101
03.2102.0	WT2102	FB2102
03.2103.0	WT2103	FB2103
03.2107.0	WT2107	FB2107
03.2109.0	WT2109	-
03.2110.0	WT2110	-
03.2200.5	GT2262	-
03.2201.0	WT2201	FB2201
03.2202.0	WT2202	FB2202
03.2203.0	WT2203	FB2203
03.2203.5	GT2263	FB2251
03.2204.0	WT2208	-
03.2204.4	-	FB2255

Truck Parts Catalogue Cross Reference

Australian Truck & Trailer Part Numbers	Watts Part Numbers	Maxiparts Part Numbers
03.2204.7	WT2208B	-
03.2206.5	-	FB2258
03.2208.5	-	FB2259
03.2208.8	-	FB3177
03.2209.2	WT2209	-
03.2209.5	-	FB2260
03.2210.0	WT2212	-
03.2214.3	-	FB2201
03.2214.4	-	FB2262
03.2238.5	-	FB2229
03.2402.0	WT3122	-
03.2403.0	WT3133	FB3122
03.2404.0	WT3123,WT3134	FB3141
03.2405.0	WT3118	FB3118
03.2501.0	WT3101	FB3101
03.2513.0	WT3117	FB3117
03.2502.0	WT3103	FB3103
03.2503.0	WT3102	FB3102
03.2504.0	WT3105	-
03.2508.0	WT3106	-
03.2602.0	WT3107	-
03.2605.0	WT3100	FB3100
03.2608.0	WT3129	FB3166
03.3052.0	WT3207	FB3207
03.3053.0	WT3207T	-
03.3058.0	WT3213	FB3231
03.3059.0	WT32.13B	-
03.3103.0	WT3203	FB3203
03.3164.0	WT3217	-
03.3121.0	WT3205	-
03.3163.0	WT3218	-
03.3161.0	WT3342	-
03.3172.0	WT3344	-
03.3175.0	WT3304W	-
03.3201.0	WT3304S	-
03.3348.0	WT3216	-
03.3232.0	WT3200	FB3232
03.3352.0	WT3300	FB3233
03.3242.0	WT3341	FB3311

Truck Parts Catalogue Cross Reference

Australian Truck & Trailer Part Numbers	Watts Part Numbers	Maxiparts Part Numbers
03.3237.0	WT3305	-
03.3302.1	WT3302	-
03.3303.0	-	FB3305
03.3400.0	WT3403	-
03.3400.1	WT3404	-
03.3400.2	WT3405	-
03.3403.0	WT3403S	FB3403
03.3403.1	WT3404S	FB3404
03.3403.2	WT3405S	FB3405
03.3451.0	-	FB3410
03.3521.0	-	FB3421
03.3512.1	WT3429	-
03.3418.0	WT3436	-
03.3418.1	-	FB3416
03.3472.0	WT3421	-
03.3472.1	WT3422	FB3418
03.3523.0	WT3432	FB3424
03.3419.0	WT3434	-
03.3524.0	WT3433	FB3425
03.3473.0	WT3420	FB3407
03.3604.0	WT3435	-
03.3605.0	WT3425	-
03.3651.0	WT3417	-
03.3701.0	WT3451	FB3451
03.3701.1	WT3451	-
03.3705.0	WT3453	-
03.3711.0	WT3471	-
03.3776.0	WT3613	-
03.3901.0	-	FB3455
03.3901.1	WT3473	-
03.3905.0	WT3466	FB3456
03.3702.0	WT3452	FB3452
03.8321.0	WT3456	-
09.1651.18	-	SP1331P
09.1715.0	WT1408	-
09.1740.0	WT1229	-
09.1750.0	WT1232	-
09.1765.0	WT1209	-
09.1745.0	WT1215	-
09.201.39	-	SP1352
09.201.49	-	SP1351
09.212.38	-	SP1418

Truck Parts Catalogue Cross Reference

Australian Truck & Trailer Part Numbers	Watts Part Numbers	Maxiparts Part Numbers
09.212.39	-	SP1371
09.212.45	-	SP1425
09.212.47	-	SP1417
09.212.49	-	SP1370
09.212.54	-	SP1430
09.212.56	-	SP1421
09.281.39	SF0034,T5482	SP1356
09.281.45	T5483	-
09.281.49	SF0033,T7427	SP1355
09.281.52	T7428	-
09.283.34	203-00051	-
09.283.41	203-01920	-
09.283.43	203-02528	-
09.283.47	203-00010	-
09.283.49	203-02530	-
09.283.56	203-01879	-
09.283.60	203-02545	-
09.3102.L	0035-11,SF0004	SP1353
09.3102.R	0035-12,SF0004A	SP1354
09.3202.L	SF0024	SP1372
09.3202.R	SF0024A	SP1373
09.3206.L	203-02522	UXA0012-2
09.3206.R	203-02523	UXA0012-1
07.7821.9	WT1114	-
20.7101.0	WT9609	TT6415
20.7102.0	DBG7102	-
20.7105.0	WT9601	-
20.7106.0	WT9602	-
21.1004.9	XB-16045	-
21.1104.9	XB-16049AUS	-
21.1204.9	XB-16049USA	-
22.1581.2		TCTCK83022

If you detect any errors in this catalogue, we would appreciate it if you let us know, as we want this information to be as accurate as possible.



HC-ATM Group Pty Ltd ABN: 87 140 887 501
TELEPHONE: (07) 3277 5111 FAX: (07) 3875 1945
WEB: www.aussietruckparts.com.au
102 Stradbroke St, Heathwood, Brisbane, QLD 4110

Notes

